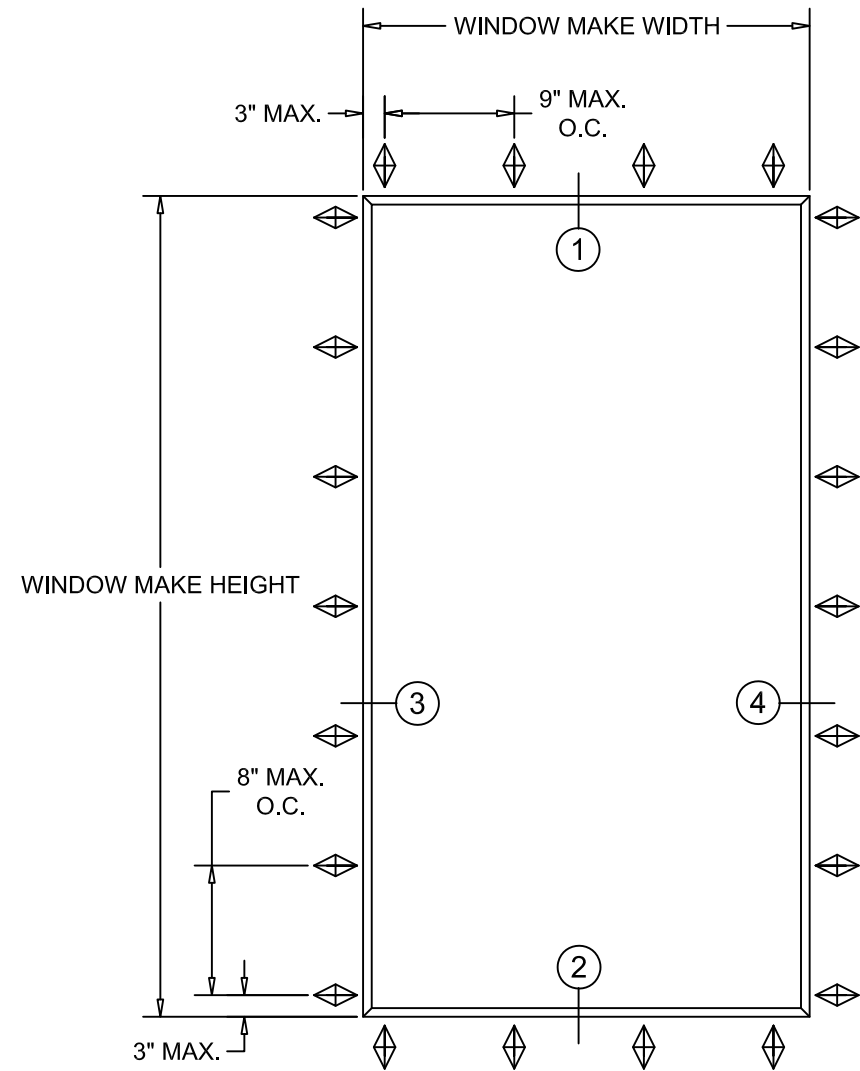


NOTE: TYPICAL C700/C705 ONE TONE - FIXED WINDOW - NAIL FIN INSTALLATION



Maximum				
FW	FH	DLO-W	DLO-H	Pressure
60"	99"	56 3/4"	95 3/4"	± 60 PSF

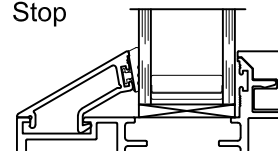
Mark A

1" Insulating Glass
See Sheet 4 of 4 for Detail

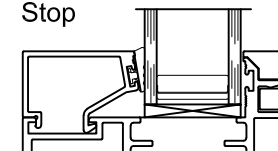
Notes:

1. Installations depicted satisfy the requirements of the 8th Edition (2023) of the Florida Building Code for Wind Pressures and Overall Sizes shown.
2. As Tested Anchor spacings are shown on the Elevations.
3. Wood Framing are assumed to Southern Pine (G=0.55) or denser.
4. Metal stud frames are assumed to be a minimum 16 gauge 33 KSI Steel.
5. Concrete masonry (CMU) shall conform to ASTM C90.
6. Concrete shall be minimum $f_c = 3,000$ psi.
7. Wood Screws shall meet requirements of ANSI/ASME B18.6.1.
8. TEKS screws shall be ASTM A510 Grade 1018 or equivalent.
9. Hilti Kwik-Con + anchors as specified in NOA 21-0628.20
10. Maximum Frame Shim Space is $\frac{1}{4}$ " as shown. Shims shall be non-compressible load bearing type.
11. Exterior and Interior shall be sealed according to Shop Drawings.
12. Products shown are Impact Resistant for use in Wind Zone 3 - Missile Level D.
13. Not for use in High Velocity Hurricane Zone (HVHZ).
14. Sealing and flashing strategies and overall water infiltration performance of the installed product are by others and not addressed by this document.

C705
Bevel
Stop



C700
SQUARE
Stop



Standard 1" I.G.

Tanya A. Dolby, P.E.
FL P.E. No. 93536
Intertek – ATI
130 Derry Ct. York, PA 17406
(717) 764-7700
Project: Q0214.02

Project Name:
**C700/C705 FIXED
One Tone
Installation Instructions**

GENERAL NOTES

QUAKER WINDOW PRODUCTS
WILL NOT BE RESPONSIBLE
FOR FIELD MEASUREMENT,
QUANTITIES, & INSTALLATION
DESIGN. CONTRACTOR MUST
VERIFY ALL DIMENSIONS.

PHONE (573)-744-5211
FAX (573)-744-5586

COMMERCIAL
FAX (573)-744-5822
www.quakerwindows.com

Scale: NONE

Sheet #: 1 of 4

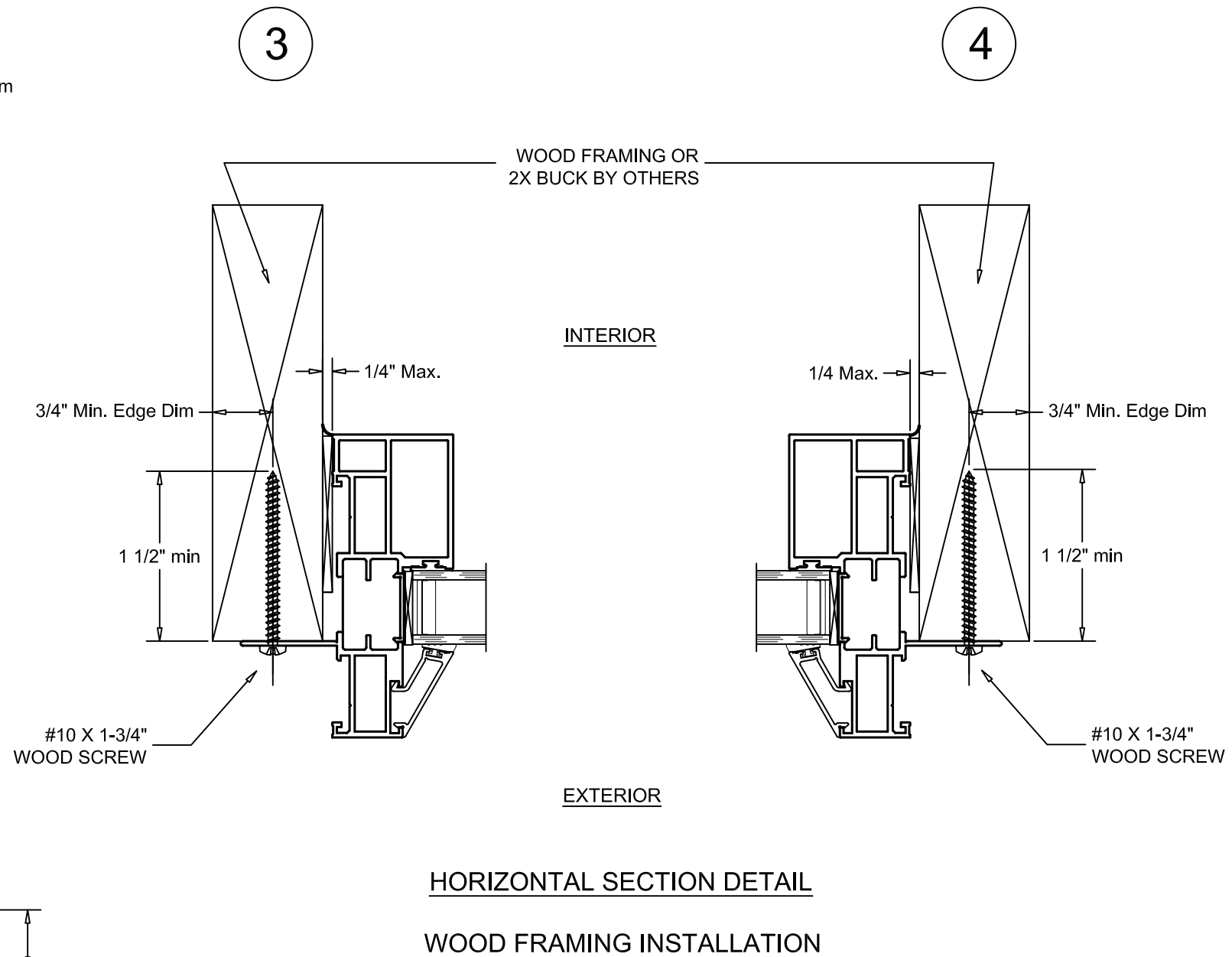
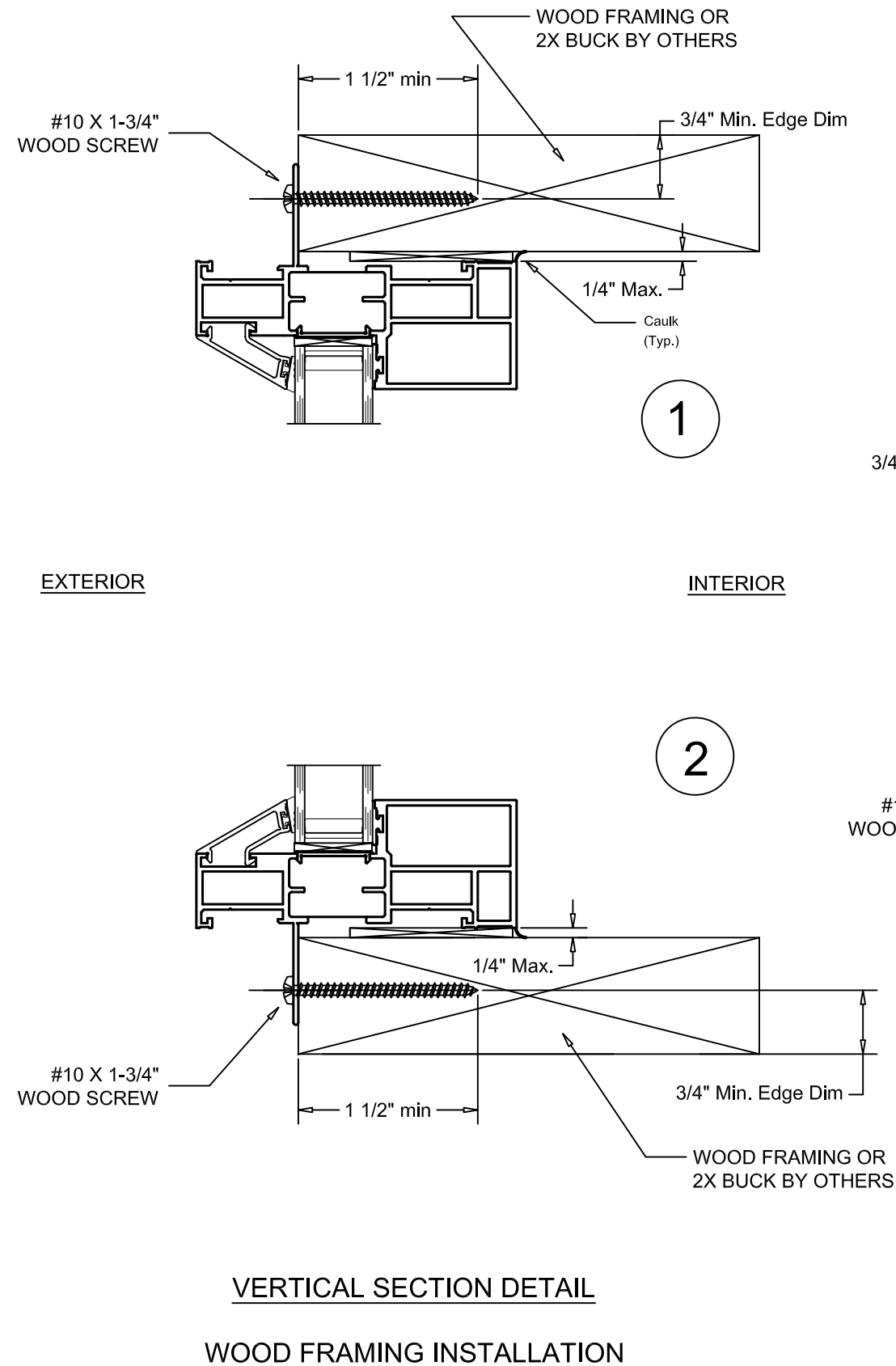


504 Highway 63 South
Freeburg, MO 65035
drafting@quakerwindows.com



Drawn By: Bud
Date: 03-25-2024

NOTE: TYPICAL C700/C705 ONE TONE - FIXED WINDOW - NAIL FIN INSTALLATION



Tanya A. Dolby, P.E.
 FL P.E. No. 93536
 Intertek - ATI
 130 Derry Ct. York, PA 17406
 (717) 764-7700
 Project: Q0214.02

Project Name:
C700/C705 FIXED
One Tone
Installation Instructions

GENERAL NOTES

QUAKER WINDOW PRODUCTS
 WILL NOT BE RESPONSIBLE
 FOR FIELD MEASUREMENT,
 QUANTITIES, & INSTALLATION
 DESIGN. CONTRACTOR MUST
 VERIFY ALL DIMENSIONS.

DESCRIPTION: COMMERCIAL
 PHONE (573)-744-5211
 FAX (573)-744-5586
 www.quakerwindows.com
 Scale: NONE
 Sheet #: 2 of 4

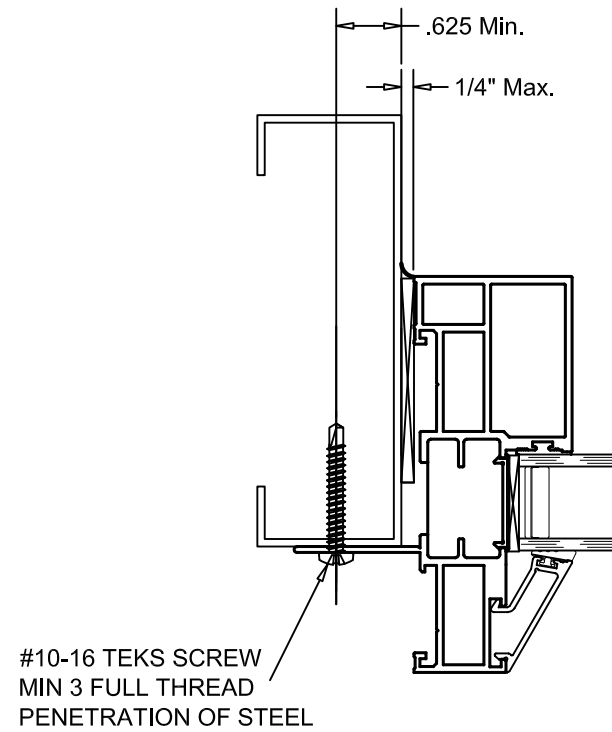
QUAKER
 COMMERCIAL WINDOW AND DOOR

Drawn By: Bud
 Date: 03-25-2024

504 Highway 63 South
 Freeburg, MO 65035
 drafting@quakerwindows.com

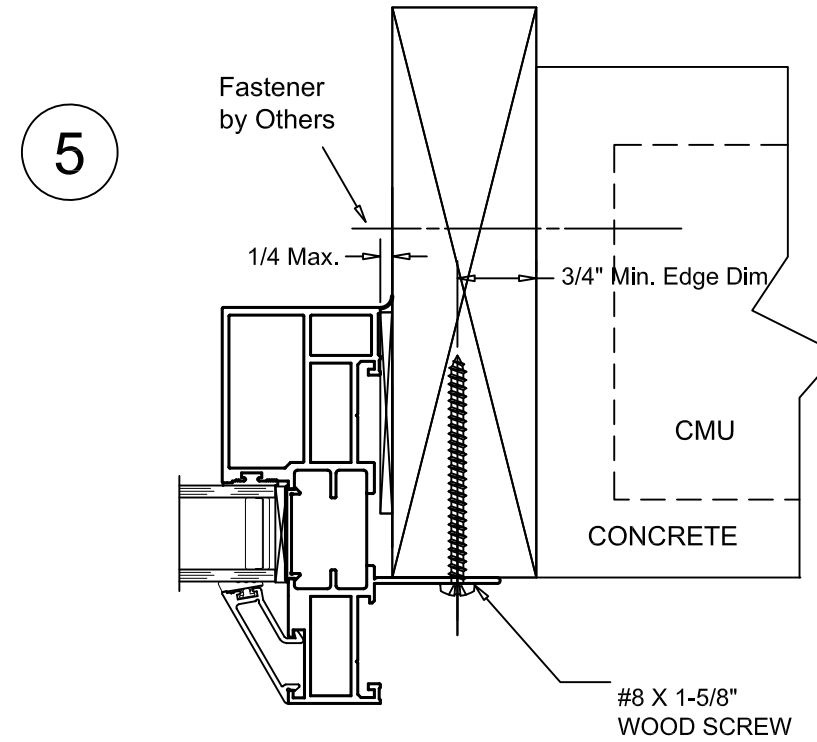
NOTE: TYPICAL C700/C705 ONE TONE - FIXED WINDOW - NAIL FIN INSTALLATION

INTERIOR



3

EXTERIOR



5

See Detail 4 on sheet 2 for wood anchorage

Tanya A. Dolby, P.E.
FL P.E. No. 93536
Intertek – ATI
130 Derry Ct. York, PA 17406
(717) 764-7700
Project: Q0214.02

Project Name: **C700/C705 FIXED One Tone**
Installation Instructions

GENERAL NOTES

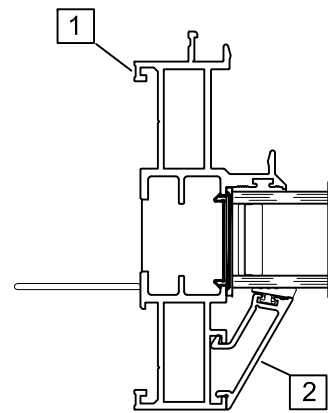
QUAKER WINDOW PRODUCTS WILL NOT BE RESPONSIBLE FOR FIELD MEASUREMENT, QUANTITIES, & INSTALLATION DESIGN. CONTRACTOR MUST VERIFY ALL DIMENSIONS.

	PHONE (573)-744-5211 FAX (573)-744-5586 COMMERCIAL FAX (573)-744-5822 www.quakerwindows.com	Scale: NONE Sheet #: 3 of 4
	504 Highway 63 South Freeburg, MO 65035 drafting@quakerwindows.com	Drawn By: Bud Date: 03-25-2024

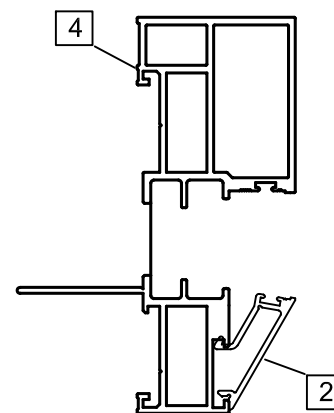
NOTE: TYPICAL C700/C705 ONE TONE - FIXED WINDOW - NAIL FIN INSTALLATION

Bill of Materials				
NO.	Description	Part Number	Material	Manufacturer
1	Frame w/ Nail Fin	23015	Aluminum 6063-T6	Tower Extrusions
2	Beveled Glazing Bead	23982	Aluminum 6063-T6	Tower Extrusions
3	Square Glazing Bead	23114	Aluminum 6063-T6	Tower Extrusions
4	One Tone Fixed Frame w/ Nail Fin	23274	Aluminum 6063-T6	Tower Extrusions

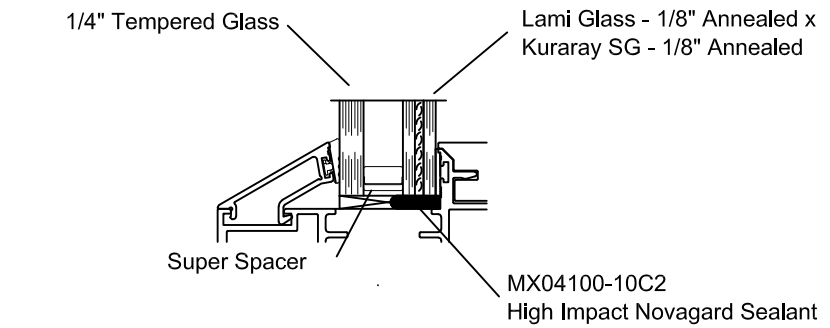
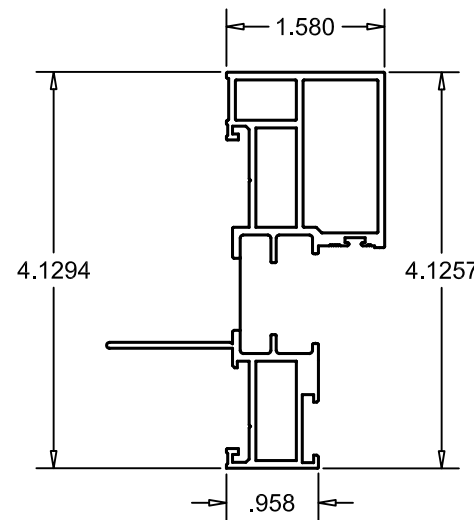
Tanya A. Dolby, P.E.
 FL P.E. No. 93536
 Intertek – ATI
 130 Derry Ct. York, PA 17406
 (717) 764-7700
 Project: Q0214.02



As Tested



C700/C705 - One Tone Engineering



Standard 1" I.G.

2

C705

3

C700

C700/C705 FIXED
One Tone
Installation Instructions

Project Name:

GENERAL NOTES

Description:

QUAKER WINDOW PRODUCTS
 WILL NOT BE RESPONSIBLE
 FOR FIELD MEASUREMENT,
 QUANTITIES, & INSTALLATION
 DESIGN. CONTRACTOR MUST
 VERIFY ALL DIMENSIONS.

PHONE (573)-744-5211
 FAX (573)-744-5586
 COMMERCIAL
 FAX (573)-744-5822
 www.quakerwindows.com
 Scale: **NONE**
 Sheet #: **4 of 4**



504 Highway 63 South
 Freeburg, MO 65035
 drafting@quakerwindows.com
 Drawn By: **Bud**
 Date: **03-25-2024**